

**DEVICE
ENGINEERING
INCORPORATED**

385 East Alamo Drive
Chandler, AZ 85225
Phone: (480) 303-0822
Fax: (480) 303-0824
E-mail: info@deiaz.com

DEI1116 / DEI1117 ARINC 429 Transceiver Family

Features

- Two Receivers and One Transmitter
- 3.3V or 5V supply operation
- Pin compatible with DEI1016, HI3282 and HI8282A
- Wraparound Self-Test mode
- Word length can be configured for 25 bit or 32 bits operation
- Parity Status and generation of Receive and Transmit Words
- 8 Word Transmitter buffer
- Low Power CMOS
- Supports multiple ARINC protocols: 429, 571, 575, 706
- Temperature range options: -55/+85°C and -55/+125°C
- Package options: 44L MQFP and 44L PLCC
- Lightning Protection options: DEI1117 operates with 10K Ohm series resistor on A429 inputs.
- Pin and software compatible with the DEI1016 ARINC 429 Transceiver

General Description

The DEI1116/DEI1117 provides an interface between a standard avionics type serial digital data bus and a 16-bit-wide digital data bus. The interface circuit consists of a single channel transmitter with an 8X32 bit buffer, two independent receive channels, and a host programmable control register to select operating options. The two receiver channels operate identically, each providing a direct electrical interface to an ARINC data bus.

The transmitter circuit contains an 8 word by 32 bit buffer memory and control logic which allows the host to write a block of data into the transmitter. The block of data is transmitted automatically by enabling the transmitter with no further attention by the host computer. Data is transmitted in TTL format on the DO(A)/DO(B) output pins. The signal format is compatible with DEI's extensive line of ARINC 429 Line drivers for easy connection to the ARINC data bus.

The DEI1116 and DEI1117 differ in their A429 RX input characteristics. The DEI1116 interfaces directly to the A429 bus signals; the DEI1117 operates with 10K ohm series resistors. The series resistors support implementation of lightning transient protection.

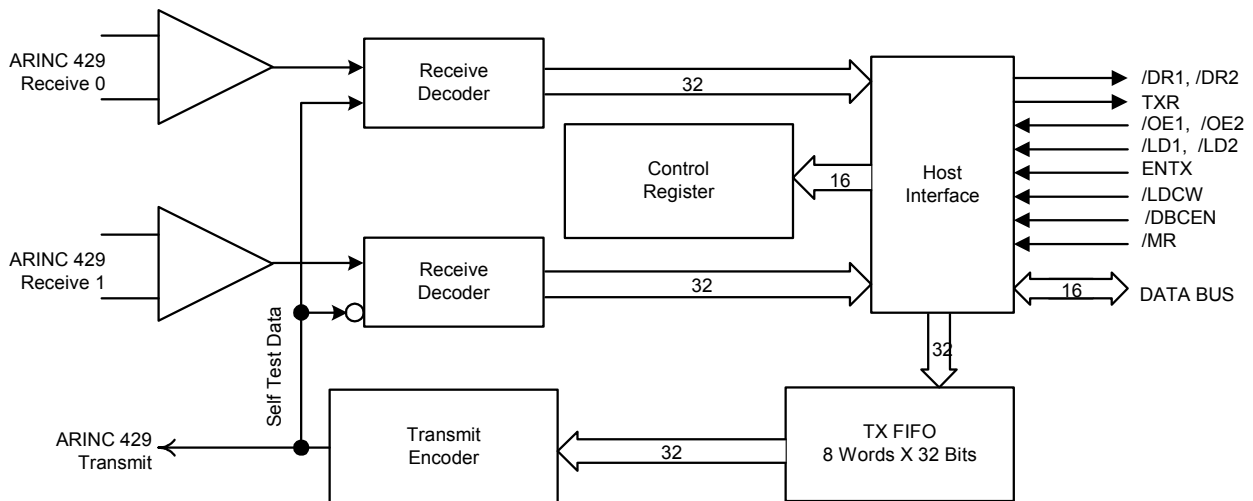


Figure 1: Block Diagram

Table 1: Pin Definitions

SYMBOL	DEFINITION
V _{DD}	Power Input. +5VDC ±10%
GND	Power Return and Signal Ground.
DI1(A)	ARINC 429 Input. Receiver Channel 1, "A" input
DI1(B)	ARINC 429 Input. Receiver Channel 1, "B" input
DI2(A)	ARINC 429 Input. Receiver Channel 2, "A" input
DI2(B)	ARINC 429 Input. Receiver Channel 2, "B" input
/LDCW	Logic Input. Load Control Register. A Low input pulse loads the Control Register from D[15:0].
SEL	Logic Input. Receiver word select. A Low input selects receiver Word 1; Hi selects Word 2 to be read on D [15:0] port.
/LD1	Logic Input. Load Transmitter Word 1. A Low input pulse loads Word 1 into the Transmitter FIFO from D [15:0].
/LD2	Logic Input. Load Transmitter Word 2. A Low input pulse loads Word 2 into the Transmitter FIFO from D [15:0].
ENTX	Logic Input. Enable Transmitter. A Hi input enables the Transmitter to send data from the Transmitter FIFO. This must be Low while writing data into Transmitter FIFO. Transmitter memory is cleared by high-to-low transition.
D[15:0]	Logic Input / Tri-state Output. This 16-bit bi-directional data port is the uP data interface. Receiver data is read from this port. Control Register and Transmitter FIFO data is written into this port.
/OE1	Logic Input. Receiver 1 Output Enable. A Low input enables the D [15:0] port to output Receiver 1 data. Word 1 or Word 2 will be output as determined by the SEL input.
/OE2	Logic Input. Receiver 2 Output Enable. A Low input enables the D [15:0] port to output Receiver 2 data. Word 1 or Word 2 will be output as determined by the SEL input.
/DR1	Logic Output. Data Ready, Receiver 1. A Low output indicates valid data in receiver 1.
/DR2	Logic Output. Data Ready, Receiver 2. A Low output indicates valid data in receiver 2.
TXR	Logic Output. Transmitter Ready. A Hi output indicates the Transmitter FIFO is empty and ready to accept new data.
DO(A), DO(B)	Logic Outputs. Transmitter serial data outputs. This is a return-to-zero format signal which will normally feed an ARINC 429 Line Driver IC. A Hi output on DO(A) indicates the Transmitter data bit is a 1. A Hi output on DO(B) indicates the Transmitter data bit is a 0. The signal returns to zero for second half of bit time.
TXCK	Logic Output. Transmitter Clock. This outputs a clock frequency equal to the transmit data rate. The clock is always enabled and in phase with the data. The output is Hi during the first half of the data bit time.
1MCK	Logic Input. External Clock. Master clock used by both the Receivers and Transmitter. The 1MHz rate is an X10 clock for the HI data rate (100 kbps), and a X80 clock for LO data rate (12.5 kbps).
/MR	Logic Input. Master Reset. A Lo input resets the Transmitter FIFO, bit counters, word counter, gap timers, /DRx, and TXR. The Control Register is not affected. Used on power up and system reset.
/DBCEN	Logic Input with internal pull up to V _{DD} . Data Bit Control Enable. A Low input enables the transmitter parity bit control function as defined by control register bit 4 (PAREN). A Hi input forces transmitter parity bit insertion regardless of PAREN value. The pin is normally left open or tied to ground.

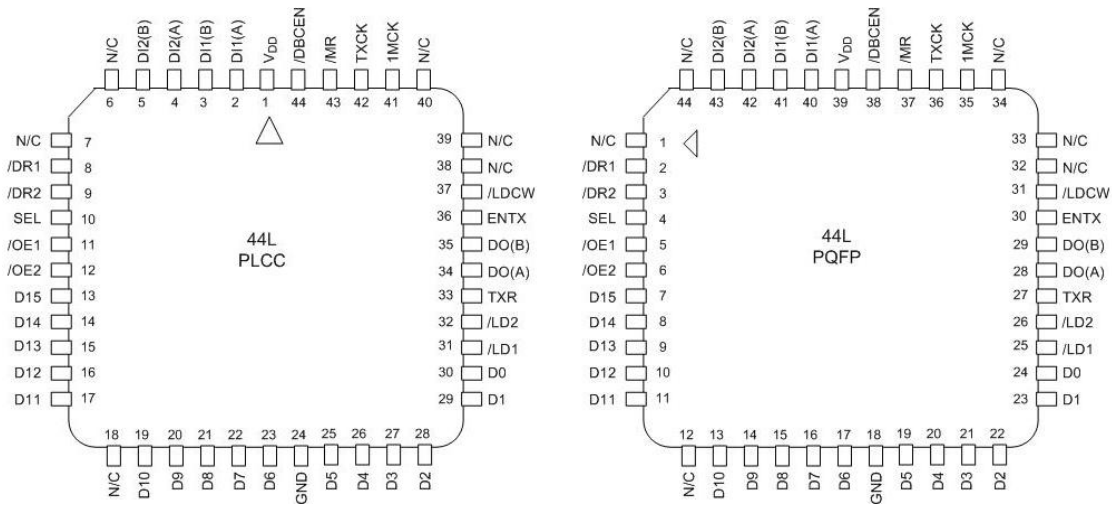


Figure 2: Terminal Connections

Table 2: DC Electrical Characteristics

Conditions: $T_a = -55$ to $+125$ °C, $V_{dd} = 3.3V \pm 10\%$ or $V_{dd} = 5V \pm 10\%$

PARAMETER	SYMBOL	CONDITIONS	MIN	TYP	MAX	UNIT
ARINC INPUTS: DI[1A/1B/2A/2B] (DEI1116) or DI[1A/1B/2A/2B]E with external 10K Ohm resistors (DEI1117)						
Differential Input Voltage	ONE	V_{il}	6.5	10.0	13.0	V
	ZERO	V_{il}	-13.0	-10.0	-6.5	V
	NULL	V_{null}	-2.5	0	2.5	V
Common Mode Input Voltage	V_{cm}		-10		10	V
Input Resistance:	Differential	R_I	24	132	200	KOhm
	To GND	R_G	12	67	100	KOhm
	To VDD	R_H	12	7500		KOhm
Input Capacitance	C_I				20	pF
LOGIC INPUTS						
Input Voltage: HI	V_{IH}	$V_{dd} = 3.0V$ to $5.5V$	$0.7 \cdot V_{dd}$		$V_{dd} + 0.5$	V
Input Voltage: LO	V_{IL}	$V_{dd} = 3.0V$ to $5.5V$	-0.5		0.8	V
Hi-Z Input Current:	I_{in}	0V to V_{dd}	-10		10	μA
Input Pull-up Current, /DBCEN	I_{PU}	0V		-100		μA
LOGIC OUTPUTS						
Output Voltage: TTL Logic 1	V_{OH-T}	$I_{OH} = -4ma$	$V_{dd} - 0.5$			V
Output Voltage: CMOS Logic 1	V_{OH-C}	$I_{OH} = -100ua$	$V_{dd} - 0.1$			V
Output Voltage: TTL Logic 0	V_{OL-T}	$I_{OL} = 4ma$			0.4	V
Output Voltage: CMOS Logic 0	V_{OL-C}	$I_{OL} = 100ua$			0.1	V
Output Capacitance:	C_{out}				10	pF
OPERATING SUPPLY CURRENT						
Supply Current at $V_{DD} = 3.3V$ or $5V$	I_{DD}	$F_{ck} = 1MHZ$		$I_{DD} \sim 4 \cdot (V_{DD} - 2.7)$	12	mA
Supply Voltage	V_{DD}		3.0		5.5	V

Table 3: Absolute Maximum Ratings				
PARAMETER	SYMBOL	MIN	MAX	UNITS
Supply Voltage	VDD	-0.5	+7.0	V
DC Input Voltage, Logic inputs	VIN-logic	-0.6	VCC+0.6	V
DC Input Voltage, RX pins: DI[1A/1B/2A/2B] DEI1116 DEI1117 with external 10K ohm series resistors DO160 Sect 22 Lightning Immunity pin injection WF4 & WF5A WF3	VIN-rx VIN-rxe		±40 ±40 ±300 ±600	V
Clamp diode current, any pin except RX inputs			±25	mA
DC Output Current per pin			±25	mA
Storage Temperature	Tstg	-65	+150	°C
Junction Temperature, operating	TJmax		+145	°C

Table 4: AC Electrical Characteristics						
PARAMETER	SYMBOL	Data Rate 100kbps		Data Rate 12.5kbps		UNITS
		MIN	MAX	MIN	MAX	
1MCK Frequency	f _{1MCK}	0.99	1.01	0.99	1.01	MHz
1MCK Duty Cycle	CK _{DC}	40	60	40	60	%
1MCK Rise/Fall Time	T _{CRF}		10		10	ns
Master Reset Pulse Width	T _{MR}	200		200		ns
Transmitter Data Rate (1MCK = 1MHz)	T _{DR}	99	101	12.4	12.6	kbps
Receiver Data Rate (1MCK = 1MHz), (DATA = 50% BIT/ 50% NULL TIME)	R _{DR}	95	105	8.0	14.5	kbps

Functional Description:

The DEI1116/1117 supports a number of various options which are selected by data written into the control register. Data is written into the control register from the 16-bit data bus when the /LDCW signal is pulsed to a logic "0". The twelve control bits control the following functions:

- 1) Word Length (32 or 25 bits)
- 2) Transmitter bit 32 (Parity or Data)
- 3) Wrap around self test.
- 4) Source Destination code checking of received data.
- 5) Transmitter parity (even or odd)
- 6) Transmitter and Receiver data rate (100 or 12.5 kbps)

Table 5: Control Register Format			
BIT	SYMBOL	BIT	SYMBOL
D15 (MSB)	WLSEL	D7	X1
D14	RCVSEL	D6	SDENB1
D13	TXSEL	D5	/SLFTST
D12	PARCK	D4	PAREN
D11	Y2	D3	NOT USED
D10	X2	D2	NOT USED
D9	SDENB2	D1	NOT USED
D8	Y1	D0	NOT USED

Table 6: Control Word

NAME	DATA BIT	DESCRIPTION
PAREN	D4	Transmitter Parity Enable. Enables parity bit insertion into transmitter data bit 32. Parity is always inserted if /DBCEN is open or HI. If /DBCEN is LO, Logic "0" on PAREN inserts data on bit 32, and Logic "1" on PAREN inserts parity on bit 32.
/SLFTST ¹	D5	Self Test Enable. Logic "0" enables a "wrap around" test mode which internally connects the transmitter outputs to both receiver inputs, bypassing the receiver front end. The test data is inverted before going into receiver 2 so that its data is the complement of that received by receiver 1. The transmitter output is active during test mode.
SDEN1 ²	D6	S/D Code Check Enable for receiver 1. Logic "1" enables the Source/Destination Decoder for receiver 1.
X1, Y1 ²	D7, D8	S/D compare code RX1. If the receiver 1 S/D code check is enabled (SDEN1=1), then incoming receiver data S/D fields will be compared to X1, Y1. If they match, the word will be accepted by receiver 1; if not, it will be ignored. X1 (D7) is compared to serial data bit 9, Y1 (D8) is compared to serial data bit 10.
SDEN2 ²	D9	S/D Code Check Enable for receiver 2. Logic "1" enables the Source/Destination Decoder for receiver 2.
X2, Y2 ²	D10, D11	S/D compare code RX2. If the receiver 2 S/D code check is enabled (SDEN2=1), then incoming receiver data S/D fields will be compared to X2, Y2. If they match, the word will be accepted by receiver 2; if not, it will be ignored. X2 (D10) is compared to serial data bit 9, Y2 (D11) is compared to serial data bit 10.
PARCK	D12	Parity Check Enable. Logic "1" inverts the transmitter parity bit for test of parity circuits. Logic "0" selects normal odd parity; logic "1" selects even parity.
TXSEL ³	D13	Transmitter Data Rate Select. Logic "0" sets the transmitter to the HI data rate. HI rate is equal to the clock rate divided 10. Logic "1" sets the transmitter to the LO data rate. LO rate is equal to the clock rate divided by 80.
RCVSEL ⁴	D14	Receiver Data Rate Select. Logic "0" sets both receivers to accept the HI data rate. The nominal HI data rate is the input clock divided by 10. Logic "1" sets both receivers to the LO data rate. The nominal LO data rate is the input clock divided by 80.
WLSEL ⁵	D15	Word Length Select. Logic "0" sets the transmitter and receivers to a 32 bit word format. Logic "1" sets them to a 25 bit word format.
NOT USED	D0-D3	When writing to the control register, the four "not used bits" are "don't care" bits. These four bits will not be used on the chip.

NOTES

- 1) The test mode should always conclude with ten null's. This step prevents both receivers from accepting invalid data.
- 2) SDENn, Xn & Yn should be changed within 20 bit times after /DRn goes low and the bit stream has been read, or within 30 bit times after a master reset has been removed.
- 3) TXSEL should only be changed during the time that TXR is high or Master Reset is low.
- 4) RCVSEL should be changed only during a Master Reset pulse. If changed at any other time, then the next bit stream from both Receiver 1 and Receiver 2 should be ignored.
- 5) When the control word is written the effect of the WLSEL bit will take effect immediately on the first complete ARINC word received or transmitted following the control word write operation.

Data Format:

The ARINC serial data is shuffled and formatted into two 16 bit words (WORD1 and WORD2) used by the bi-directional data bus interface. Figure 3a shows the mapping between the 32 bit ARINC serial data and the two data words. Figure 3b describes the mapping for the 25 bit serial word used when control register bit WLSEL is set to logic "1".

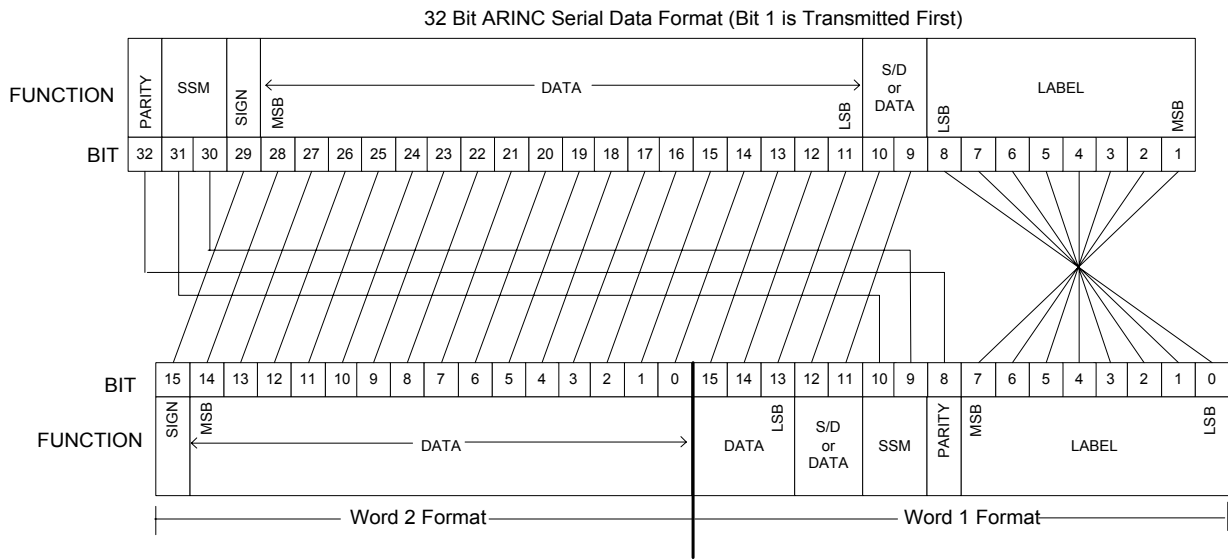


Figure 3a: Mapping of Serial Data to/from Word 1 and Word 2 in 32 bit format.

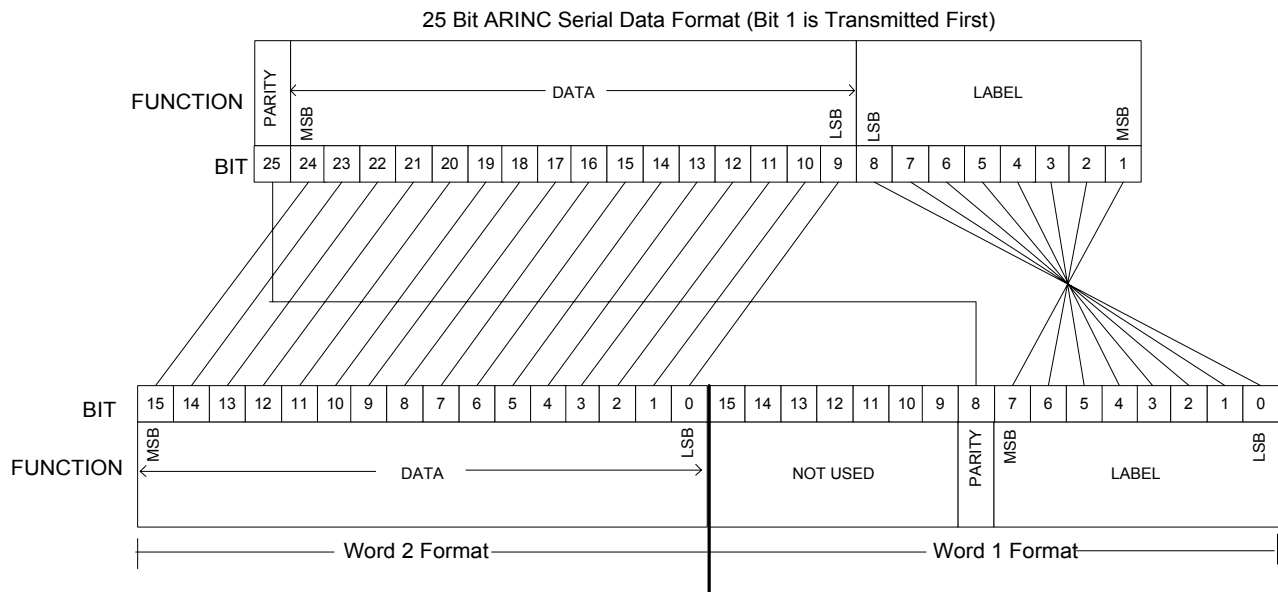


Figure 3b: Mapping of Serial Data to/from Word 1 and Word 2 in 25 bit format.

Receiver Operation:

Since the receivers function identically, only one will be discussed in detail. The receiver consists of the following circuits.

Line Receiver

The front end of the Line Receiver functions as a voltage level translator. It transforms the ± 10 volt differential ARINC data signals into 5 Volt internal logic levels. The line receivers are protected against shorts to ± 40 Volts and provide common mode voltage rejection.

The DEI1116 and 1117 differ in their A429 RX input characteristics. The DEI1116 interfaces directly to the A429 bus signals. DEI1117 version bypasses some of the on-chip resistance and thus operates with 10K ohm series resistors. The series resistors support implementation of lightning transient protection. The 1117 withstands Level 3 pin injection levels with only the resistors. Higher levels are achieved with a TVS shunt placed between the series resistor and 1117 DIxx pin.

The outputs of the Line Receiver are one of two inputs to the Self-Test Data Selector. The other input to the Data Selector is the self-test signal from the transmitter section. The self-test signals are inverted going into Receiver 2. The data selector is controlled by Control Register bit D5 (/SLFTST).

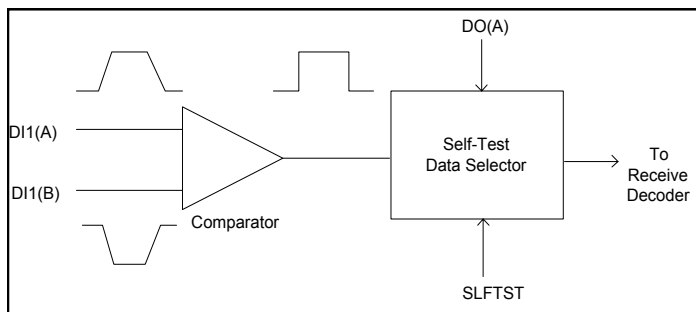


Figure 4: Line Receiver Block Diagram

Incoming Data

The incoming data (either self test or ARINC) is triple sampled by the word gap timer to generate a data clock. The start of each bit is first detected and then verified two receive-clock cycles later. The receive clock is 1MHz for HI speed and 125 KHz for LO speed operation and is generated by the Receiver/Transmitter timing circuit. The receive clock is ten times the normal data rate to ensure no data ambiguity.

Parity Control

The parity of the incoming message is checked when either word of the receiver is read. Logic “0” indicates the received word has an odd number of 1’s (no error). Logic “1” indicates the received word has an even number of 1’s (error condition). If the data format has data in bit 32 instead of parity, the user software must calculate the value of the 32nd bit. If Word 1

and Word 2 together have an even number of 1’s, then data bit 32 is a logic “1”. Otherwise, it is a logic “0”.

S/D Decoder

The Source/Destination decoder compares the user set code (X and Y) with bits 9 and 10 of the data word. The decoder can be enabled and disabled by the SDENn bits of the Control Register. If the two codes are matched, a signal is generated to latch in the received data into the receiver buffer. Otherwise the data word is ignored and not latched into the receive buffer. If the data is latched, the data ready flag (/DRn) is set to indicate to the user that a valid data word is ready to be read.

Data Clock

The derived data clock then shifts the data down a 32 bit long Data Shift Register. The data word length is selectable for either 25 or 32 bits long by Control Register Bit WLSEL. As soon as the data word is completely received, an internal signal is generated by the word gap timer circuit to enable loading data into the 32 bit receive buffer latch.

Data Access

To access the receiver data, the user sets the receiver data select input (SEL) to a logic "0" and pulses the output enable (/OEn) line with a logic "0". This causes Data Word 1 to be placed on the 16 bit data bus. To read Word 2, the user sets the data select input (SEL) to a logic "1" and pulses the output enable (/OEn) low to place Word 2 on the data bus. When both Word 1 and Word 2 have been read, DRn will be reset. This reset is triggered by the leading edge of the final /OEn pulse.

If a new data word is received before the previous data has been read from the receiver buffer (as indicated by the /DRn signal flip-flop), the receive buffer will not be over written by the new data. The new data will remain in the shift register until either the /DRn signal is reset and it can be written into the receive buffer or it is overwritten by the next incoming data word. Data in the shift register will be overwritten by new incoming data, while data that has been latched into the receive buffer can not be overwritten.

Data Error Conditions

If the receiver input data word string is broken before the entire data word is received, the receiver will reset and ignore the partially received data word.

If the receiver input data word string is not properly framed with at least 1 null bit before the word and 1 null bit after the word, the receiver will reset and ignore the improperly framed data word.

Transmitter Operation:

The transmitter section consists of an 8 word by 32 bit FIFO, parity generator, transmitter word gap timer, and a TTL output circuit.

FIFO Buffer

The 8x32 buffer memory allows the user to load up to 8 words into the transmitter, enable it, and then ignore it while the transmitter ships out the data without further attention. Data is loaded into the buffer by pulsing /LD1 to load the first 16 bits (WORD 1) from the data bus, and pulsing /LD2 to load WORD 2. /LD1 must always precede /LD2. The transmitter must always be disabled while loading the buffer (ENTX = logic "0").

If the buffer is full and new data is pulsed with /LD1 and /LD2, the last 32 bit word in the buffer will be overwritten. Data will remain in the buffer until ENTX is pulsed to a logic "1", which will activate the FIFO clock and data is shifted out serially to the transmitter driver.

The buffer data is transmitted until the last word in the buffer is shifted out. At this time a transmitter ready signal (TXR) is set to a logic "1" indicating that the buffer is empty and ready to receive up to eight more data words. Writing into the buffer memory is disabled when ENTX is set to logic "1".

Transmitter Ready Signal (TXR)

The transmitter ready flag (TXR) is set to logic "0" with the first occurrence of an /LD2 pulse to indicate that the buffer is not empty.

Output Register

The output register is designed such that it can shift out a word of 25 bits or 32 bits. The length is controlled by control register bit "WLSEL".

Parity Generator

The parity generator calculates either odd or even parity as specified by control register bit "PARCK". Odd parity is normally used; even parity is available to test the receiver parity check circuit. Odd parity means that there is an odd number of 1's in the 25 or 32 bit serial word. Bit 8 of word one is replaced with a parity bit if parity is selected by the control register bit "PAREN" and the /DBCEN pin. Otherwise, bit 8 is passed through as data.

Transmitter Output

The transmitter driver outputs three TTL compatible signals: 1) DO(A), 2) DO(B), and 3) TXCLK. DO(A) and DO(B) are the transmitter data in two rail, return-to-zero format. DO(A) indicates a logic "1" data bit by going to a "1" for the 1st half of a bit time, then returning to "0" for the 2nd half; DO(B) remains at "0" for the whole bit time. In the same fashion, DO(B) indicates a logic "0" data bit by pulsing HI while DO(A) remains LO. A null bit is indicated when both signals remain LO. It is illegal for both signals to be logic "1". The TXCLK is a free running clock signal of 50% duty cycle and in phase with transmitter data. The clock will always be logic "1" during the first half of a bit time.

Power-Up Reset

An internal power-up reset circuit prevents erroneous data transmission before an external master reset has been applied.

TX Word Gap Timer

The TX word gap timer circuit inserts a 4 bit time gap between words. This gives a minimum requirement of a 29 bit time or a 36 bit time for each word transmission. The 4 bit time gap is also automatically maintained when the next new block of data is loaded into the buffer, which may take less than one bit time.

25-bit Word Operation:

The TRANSCEIVER implements a 25 bit word format which may be used in non-ARINC applications to enhance data transfer rate. The format is a simplified version of the 32 bit ARINC word and is described in Figure 3. It consists of an 8 bit label, a 16 bit data word, and a parity bit. The parity bit can optionally be replaced with a 17th data bit. The Source/Destination code checking option can be enabled in either receiver. It will operate on bits 9 and 10 of the 25 bit word.

Self-Test Operation:

By selecting the control register bit (/SLFTST) self test option, the user may perform a functional test of the TRANSCEIVER and support circuitry. The user can write data into the transmitter and it will be internally wrapped around into both receivers. The user can then verify reception and integrity of the data. The receiver line interface and the user's line drivers will not be tested.

By setting the transmitter to use even parity, the user can test the receiver's parity circuit operation.

Processor Interface:

Figure 7 shows a typical reset and initialization sequence. The user must pulse the /MR pin low to reset the device. To load the Control Register from the data bus, the /LDCW pin is pulsed low while the desired control data is applied on the data bus.

Figure 5 shows a typical transmitter loading sequence. It begins with the transmitter completing transmission of the previous data block. The TXR flag goes HI to notify the user that data may be loaded into the buffer. The user sets ENTX to LO to disable the Transmitter and proceeds to load a total of six ARINC words into the buffer. (Note that up to eight words could have been loaded). The user then enables the transmitter by setting ENTX to a logic "1" and the transmitter begins its sequence of sending out data words. Although not shown in the figure, the transmitter loading sequence can be interrupted by receiver reading cycle with no interference between the two operations.

Figure 6 shows a typical receiver reading sequence. Both receivers notify the user of valid data ready by setting their respective /DRn lines to logic "0". The user responds by first reading the two data words from Receiver 1 and then from Receiver 2. The SEL line is normally a system address line and may assume any state, but must be valid when the /OEn line is pulsed low.

Power-up reset and Master Reset:

The user must apply an active Lo pulse to the Master Reset pin (/MR) after power up or upon system reset. Preceding the master reset at power-up an internal power-up reset occurs which will clear the transmitter such that no erroneous serial data stream will be transmitted before master reset. Receivers, control register, and internal control logic are reset by master reset.

After resetting the device, the user must program the control register before beginning normal operation. The control register may be reprogrammed without additional reset pulses.

Serial Interface:

The DEI1116/1117 consists of two receive channels and one transmit channel. Each receive channel operates independently of each other and the transmitter. The receive data is asynchronous to the transmitter data and can also be at a different data rate than the transmitter.

Transmitter

The transmitter clock is free running and in phase with the transmitter data. The transmitter data (DO(A) and DO(B)) are TTL level signals. There are always at least 4 null bits between data words. An external ARINC line driver is required to interface the transmitter to the ARINC serial data bus. See ARINC 429 LINE DRIVERS below.

Receiver

The receiver signals (DI(A) and DI(B)) are differential, bipolar, return-to-zero logic signals. The ARINC channels can be connected directly to the receiver with no external components on the DEI1116. The DEI1117 requires external 10K ohm series resistors.

ARINC 429 Line Driver

Device Engineering offers a complete line of ARINC line drivers ICs that support the ARINC 429, 571, and 575 standards. Refer to DEI website at: <http://www.dejaz.com>.

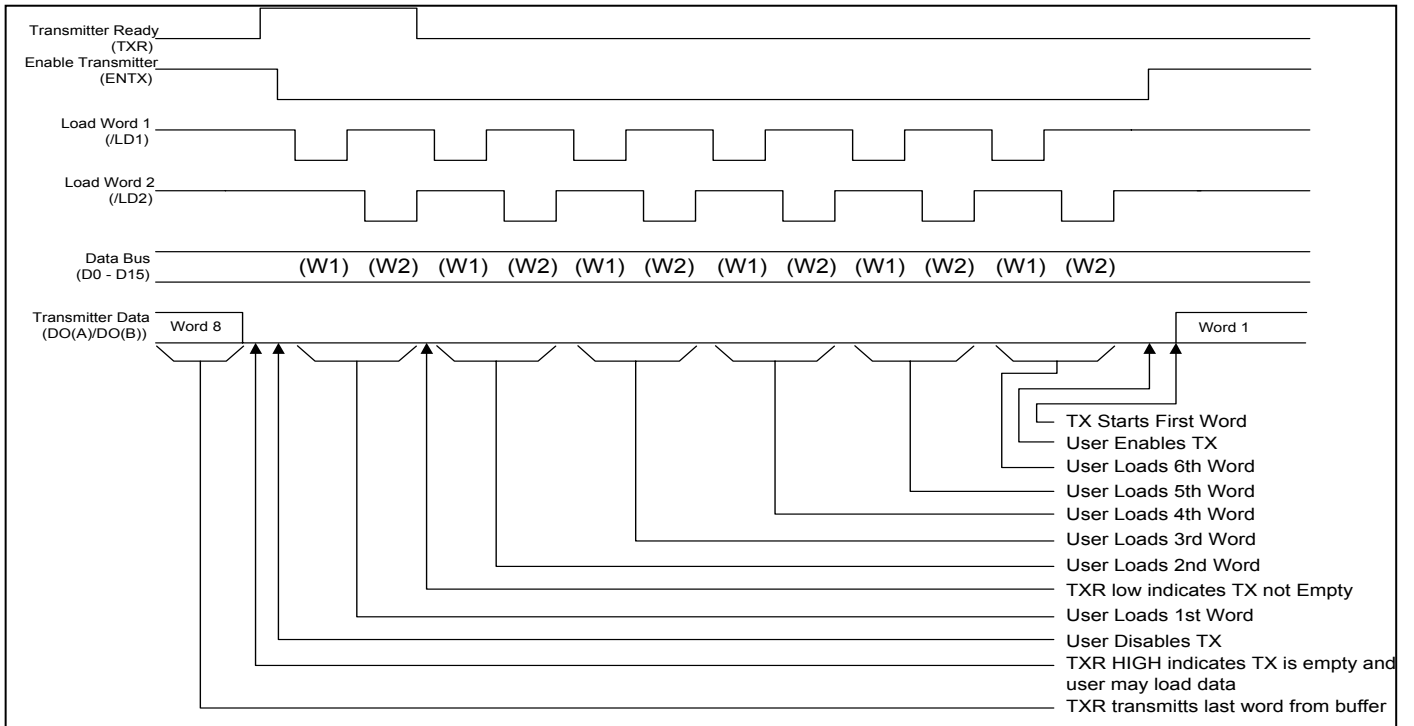


Figure 5: Typical Transmitter Load Sequence

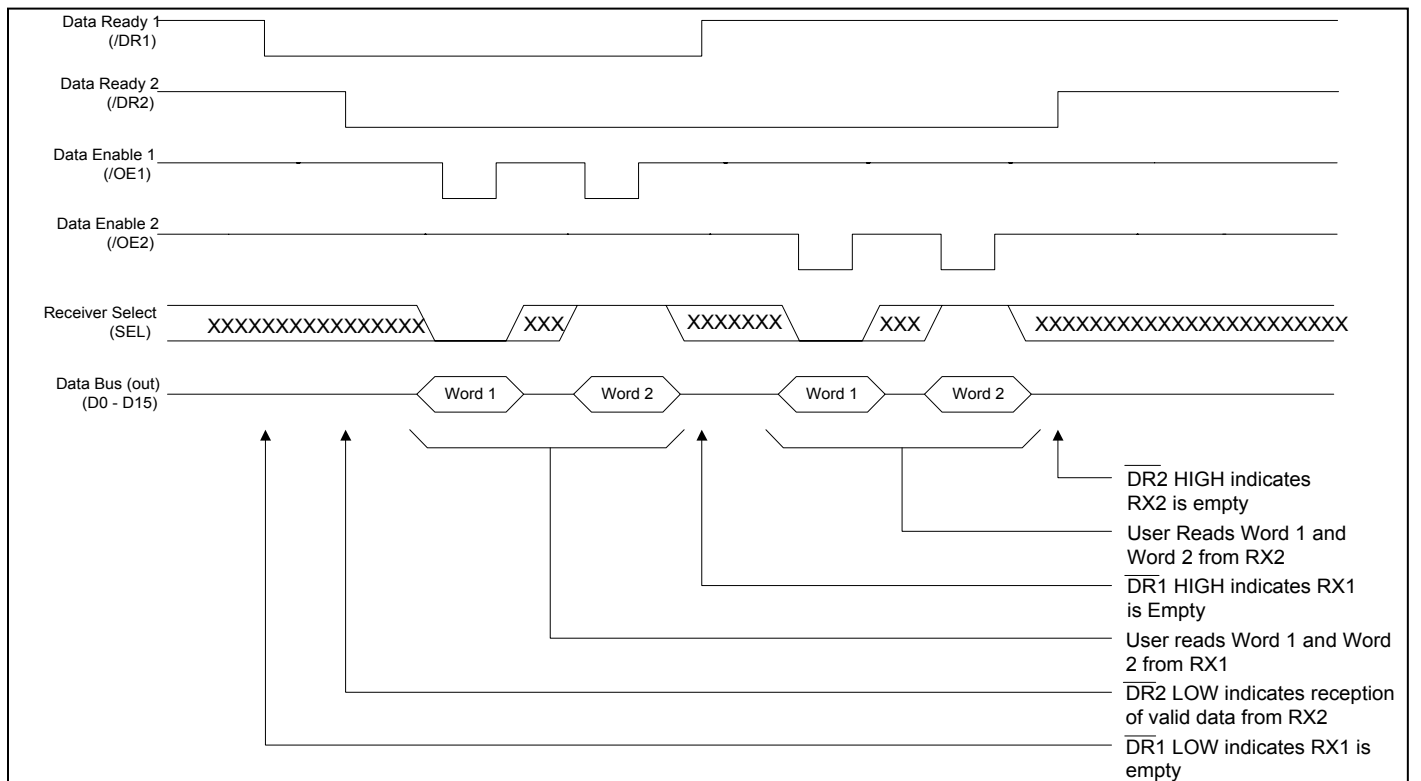


Figure 6: Typical Receiver Read Sequence

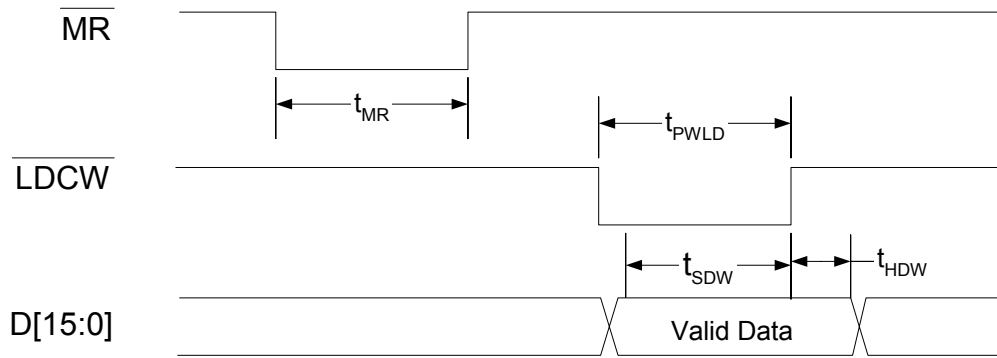


Figure 7: Reset and Initialization Sequence

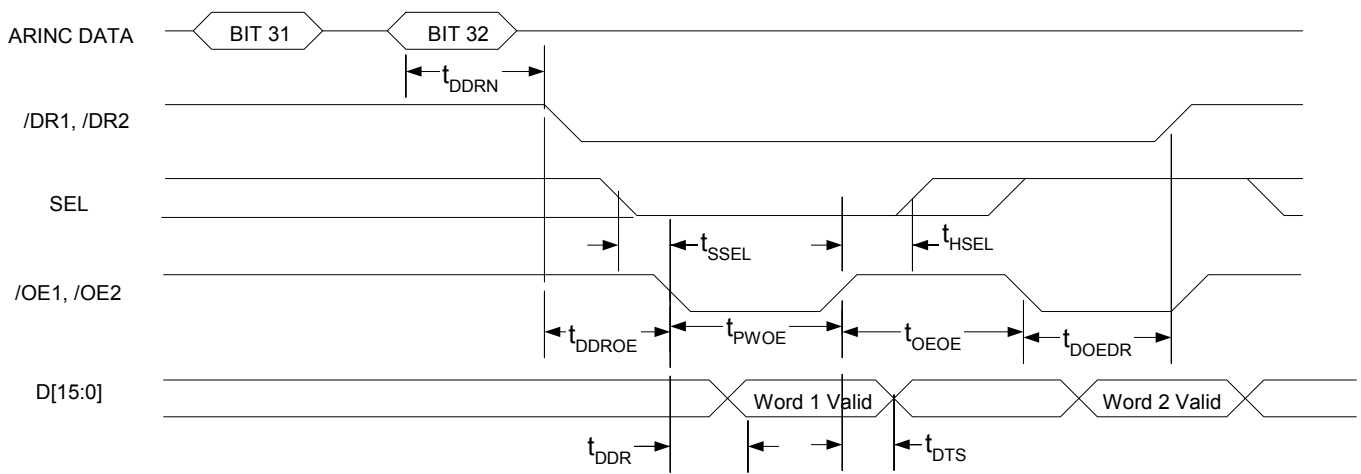


Figure 8: Receiver Read Operation and Timing

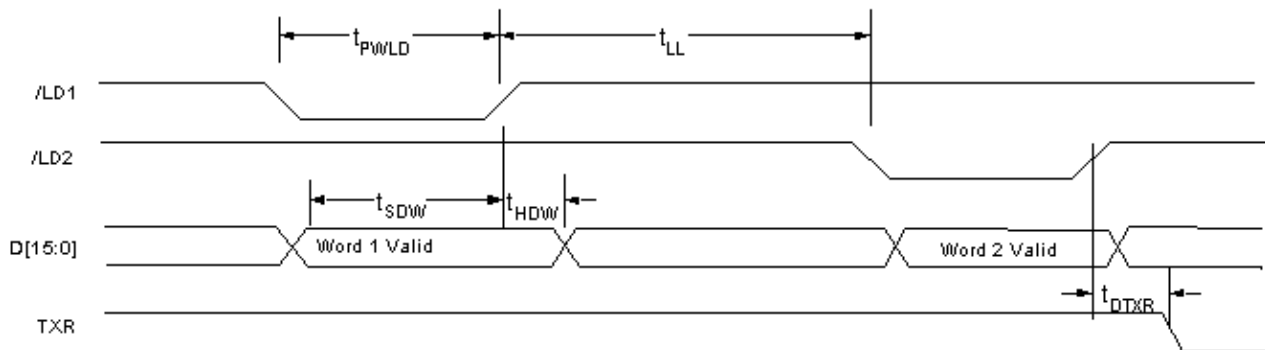


Figure 9: Transmitter Write Operation and Timing

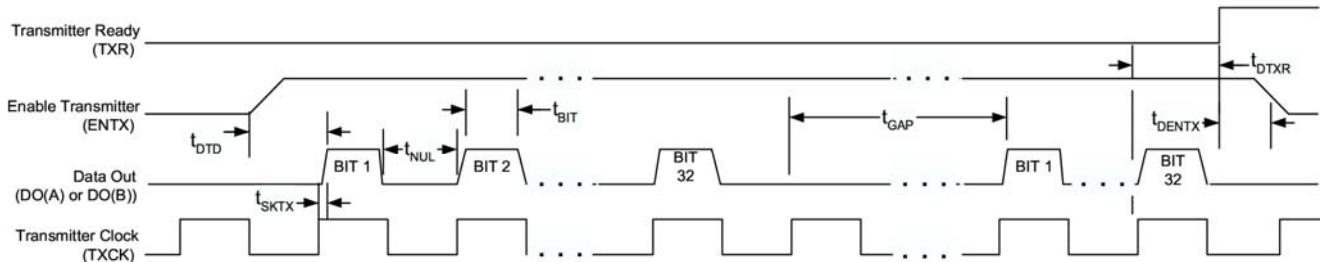


Figure 10: Transmitter Timing Diagram

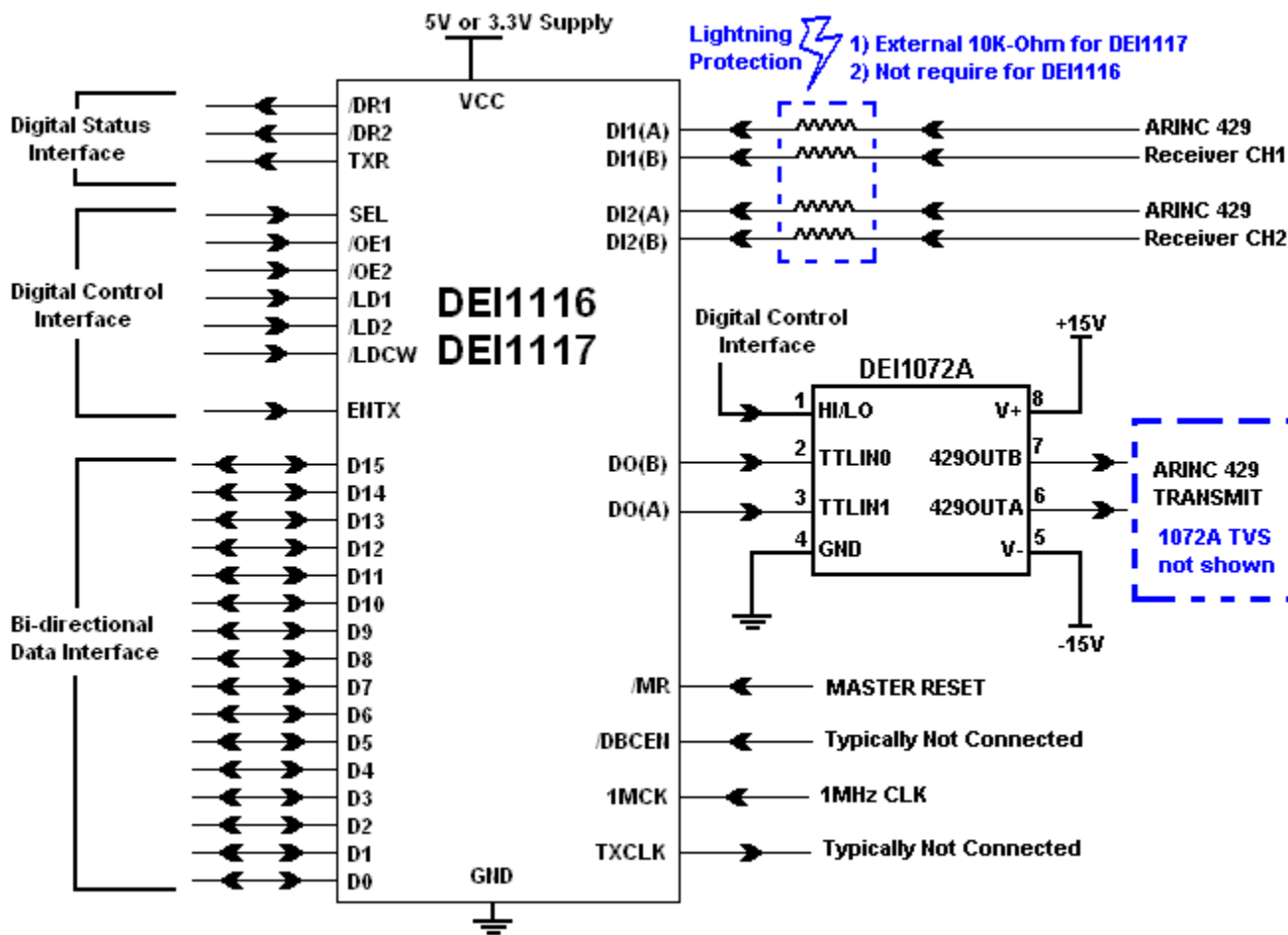


Figure 11: Typical Transceiver/Line Driver Interconnect Configuration

Table 8: DEI1116/DEI1117 Ordering Information

DEI PART NUMBER (2)	MARKING (1)	REQUIRES EXT Dlxx 10K RES	PACKAGE	TEMP RANGE	PROCESSING (3)
DEI1116-QES-G	DEI1116-QES e3	No	44 PQFP G	-55 / +85 °C	PLASTIC STANDARD
DEI1116-QMS-G	DEI1116-QMS e3	No	44 PQFP G	-55 / +125 °C	PLASTIC STANDARD
DEI1116-PMS-G	DEI1116-PMS e3	No	44 PLCC G	-55 / +125 °C	PLASTIC STANDARD
DEI1116-PES-G	DEI1116-PES e3	No	44 PLCC G	-55 / +85 °C	PLASTIC STANDARD
DEI1117-QES-G	DEI1117-QES e3	Yes	44 PQFP G	-55 / +85 °C	PLASTIC STANDARD
DEI1117-QMS-G	DEI1117-QMS e3	Yes	44 PQFP G	-55 / +125 °C	PLASTIC STANDARD
DEI1117-PMS-G	DEI1117-PMS e3	Yes	44 PLCC G	-55 / +125 °C	PLASTIC STANDARD
DEI1117-PES-G	DEI1117-PES e3	Yes	44 PLCC G	-55 / +85 °C	PLASTIC STANDARD

Notes:

1. All packages marked with Lot Code and Date Code. "e3" or "e4" after Date Code denotes Pb Free category.
2. Suffix legend: -XYZ-G: X = package code, Y = temperature range code, Z = process flow code, -G = Green (Pb Free)
3. Contact factory for screening method of other packages

Table 9: Screening Process

	PLASTIC STANDARD -xxS	Other Packages
WAFER PROBE	Room Temp	
THERMAL CYCLE -MIL-STD-883B M1010.4 Condition B	NO	
GROSS & FINE LEAK	NO	
BURN IN -MIL-STD-883B M1015 Condition A	NO	
ELECTRICAL TEST ROOM TEMPERATURE	100%	
ELECTRICAL TEST HIGH TEMPERATURE	100% +125°C (-xMx) 100% +85°C (-xEx)	
ELECTRICAL TEST LOW TEMPERATURE	0.65% AOQL @-55°C	

Note: AOQL samples use a Zero Acceptance Number sampling plan per AS9100

Table 10: Package Characteristics

PACKAGE TYPE	PACKAGE REF	THERMAL RESIST θJC / θJA (°C/W)	JEDEC MOISTURE SENSITIVITY LEVEL & PEAK BODY TEMP	LEAD FINISH MATERIAL / JEDEC Pb-Free CODE	Pb Free DESIGNATION	JEDEC MO
44L PLASTIC QUAD FLAT PACK, GREEN	44 PQFP G	21/65	MSL 3 260°C	Matte Sn e3	RoHS Compliant	M0-112-AA-1
44L PLASTIC CHIP CARRIER, GREEN	44 PLCC G	21/46	MSL 3 245°C	Matte Sn e3	RoHS Compliant	MS-018-AC

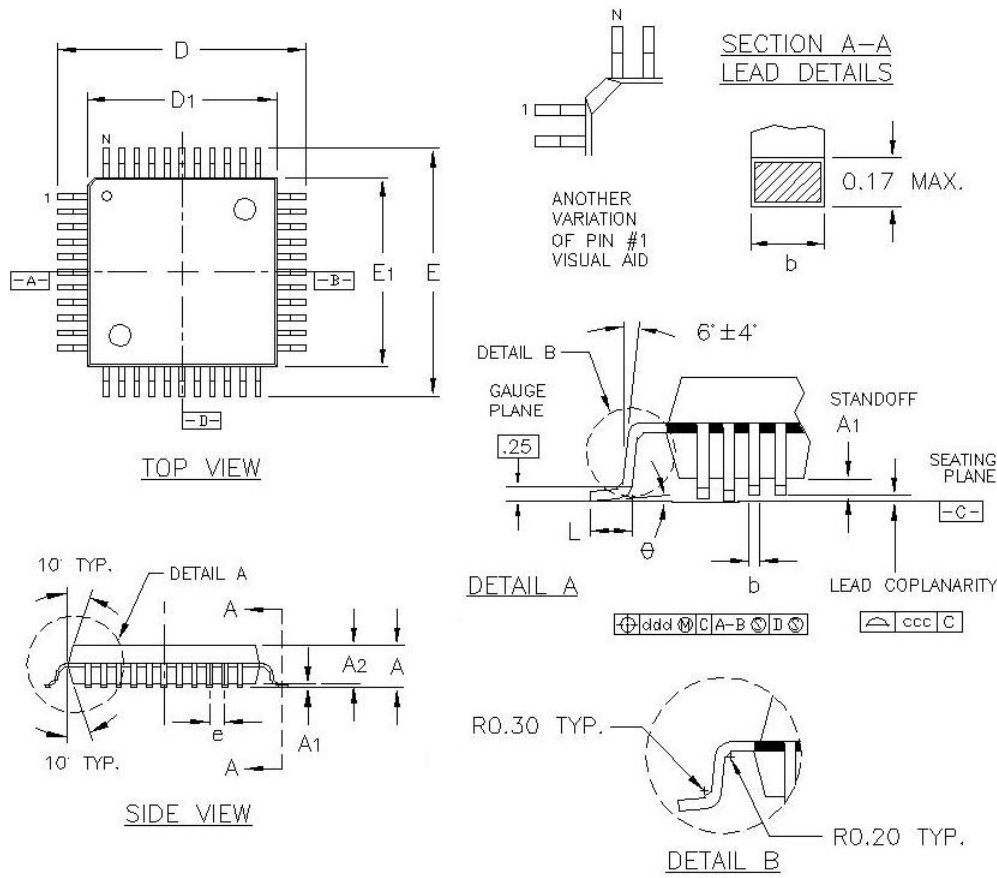


Figure 12: 44 Lead 13.90mm PQFP Mechanical Outline (44 PQFP)

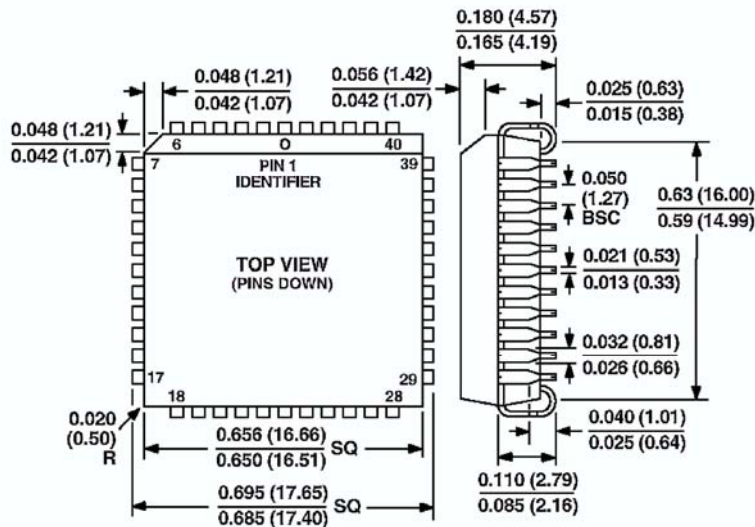


Figure 13: 44 Lead PLCC Mechanical Outline

DEI reserves the right to make changes to any products or specifications herein. DEI makes no warranty, representation, or guarantee regarding suitability of its products for any particular purpose.